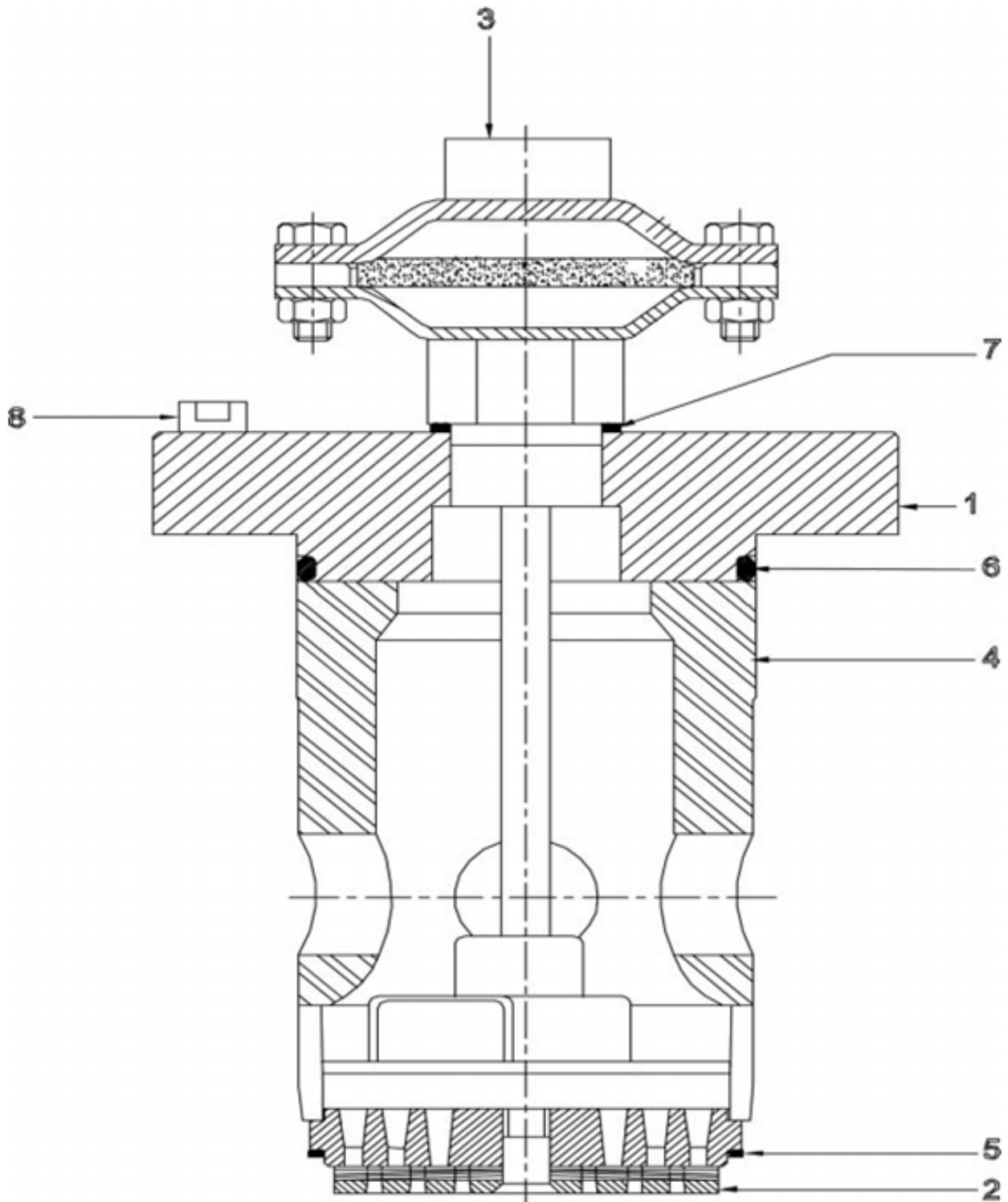


### 13. SUCTION VALVE COVER ASSEMBLY



All manufacturer's names, numbers, photos, product description and/or part numbers are used for reference purposes only & it is not implied that any part listed is the product of these manufacturers. Since Approvement are made from time to time, the illustration and specifications are subject to change without notice.

### 13. SUCTION VALVE COVER ASSEMBLY

No.	Description	Ref Part No.	QTY
-	Discharge Valve Cover Assembly (3rd Stage)	1901800839	1
1	Cover	1901055008	1
2	Suction Valve	1901002660	1
3	Diaphragm Actuator	1901002661	1
4	Lantern	1901008154	1
5	Gasket	0653050058	1
6	Gasket	0653211232	1
7	Bush (Seal Ring)	0661103300	1
8	Screw	0211136603	6

**Note :**

**Suction Valve Cover Assembly Third Stage - Qty. : 1 per Compressor**